

Ran Heat Engineering Ltd

Designed and Manufactured in Northampton



62 ST. JAMES MILL ROAD,
NORTHAMPTON NN5 5JP



TEL: 01604 750005



E-mail: sales@ranheat.com



Website: www.ranheat.com

Ranheat Silos

Conical Bottomed Silos

Conical Bottomed Silos are our preferred design as they have the perfect sweet spot of footprint, storage capacity with a reliable outfeeding mechanism. They also come in a variety of sizes to suite any space or requirement.

Type	Storage m3
2m x 1 ring	6
3m x 1 ring	14
3m x 2 ring	28
4m x 1 ring	25
4m x 2 ring	50
4m x 3 ring	75
5m x 1 ring	40
5m x 2 ring	80
5m x 3 ring	120
5m x 4 ring	160
6m x 3 ring	169
6m x 4 ring	225
6m x 5 ring	280

Conical bottom silos come with outfeeder motor, agitator arm, explosion relief panel(s) access ladder, roof rails and mounting flanges on roof, side access door.

Painted in Standard RAL Colours.

Pricing includes installation to UK mainland, excludes crane and access equipment.

3D and 2D drawings available upon request.

Additional options available with the silos:

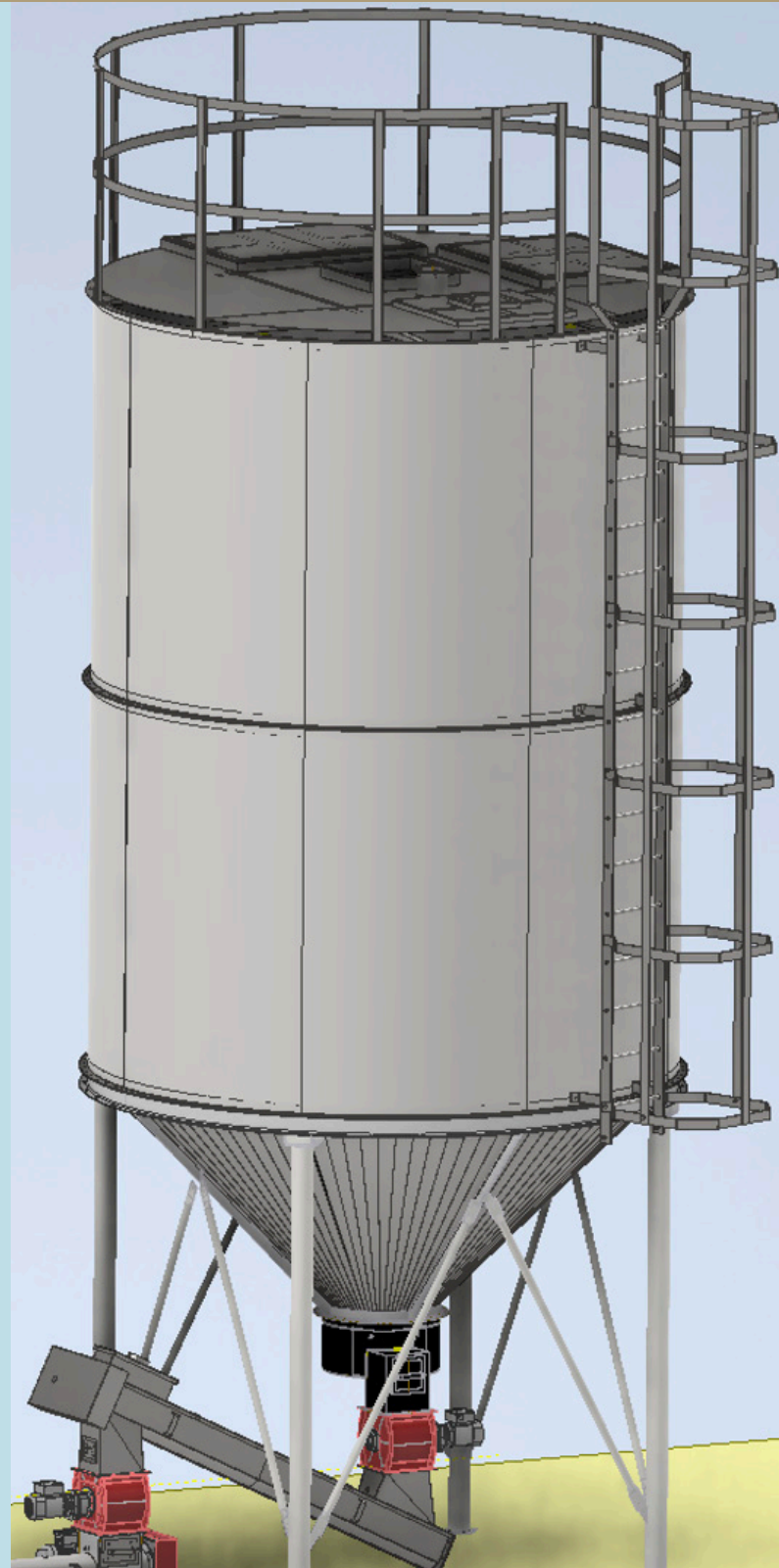
Options

Silo level sensor

Rotary Valves

Rotary Valve rotation sensor for outflow volume

Vertical screw conveying

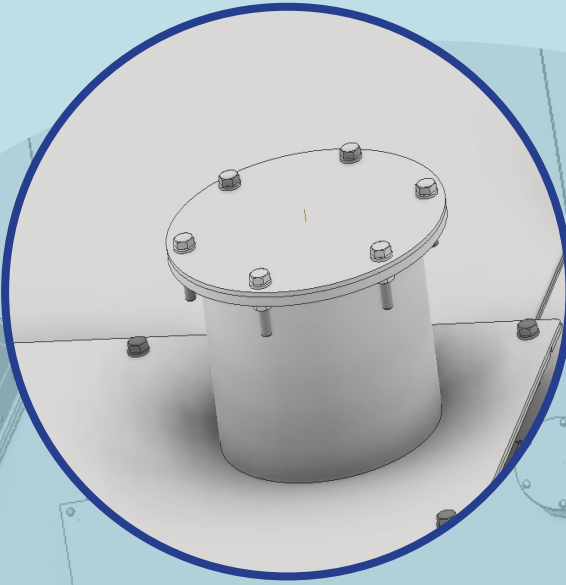
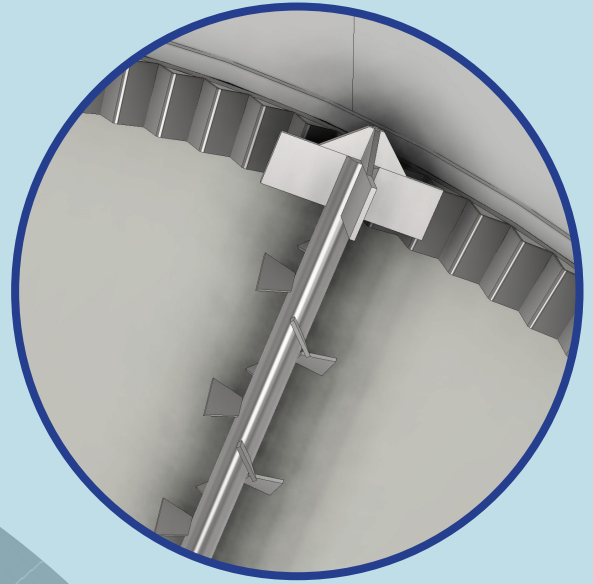


3m 2 ring Silo connecting to Ranheat Transfer Screw

Design Features

Agitator head

Rotates around the edge of the cone following a path to ensure no material gets stuck

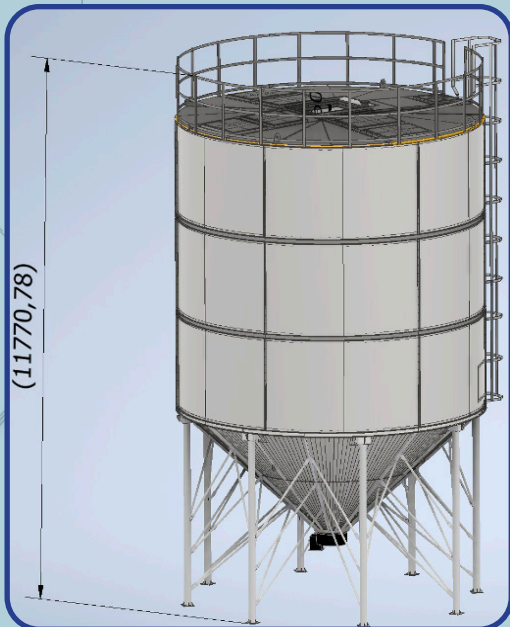
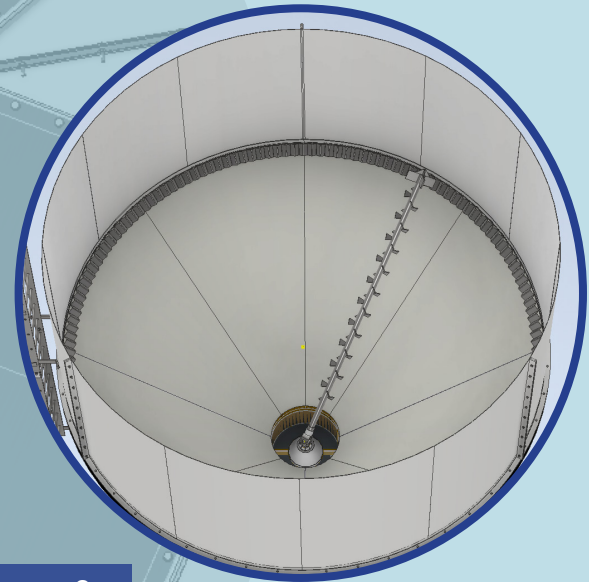


Indicator Hatch

Viewing opening to check the binder

Cone base

Directs and ensures all the material is traveling to the transfers system below



Type	Storage m3
2m x 1 ring	6
3m x 1 ring	14
3m x 2 ring	28
4m x 1 ring	25
4m x 2 ring	50
4m x 3 ring	75
5m x 1 ring	40
5m x 2 ring	80
5m x 3 ring	120
5m x 4 ring	160
6m x 3 ring	169
6m x 4 ring	225
6m x 5 ring	280

Bunker Silos

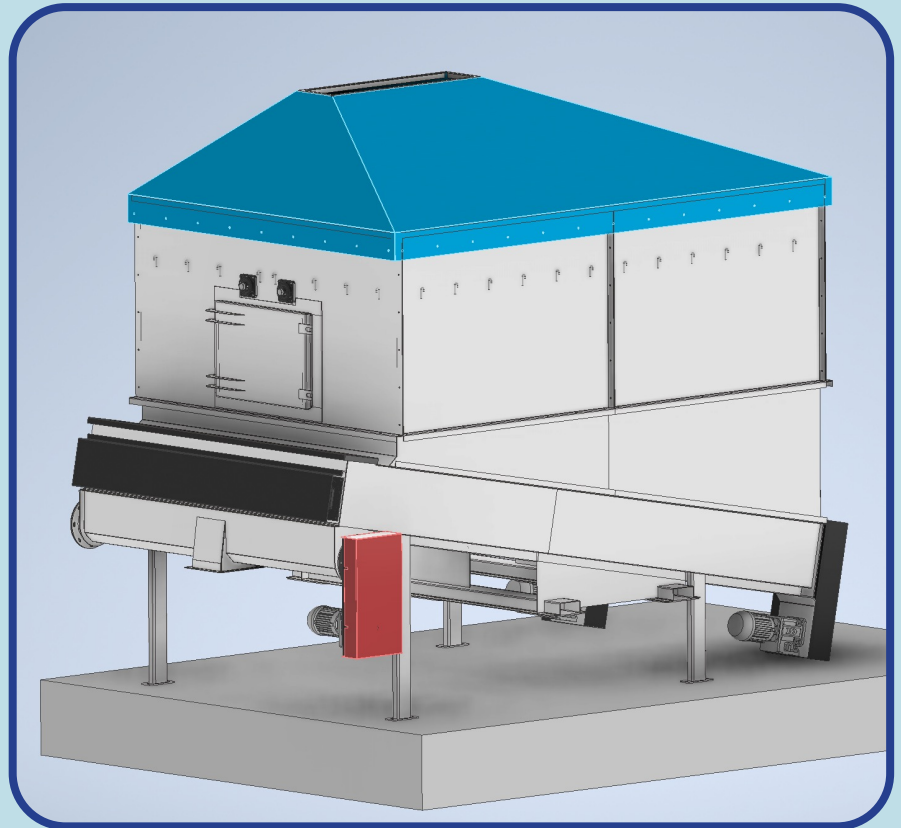
Auger Agitators

2m x 3m Bunker with two panel rings

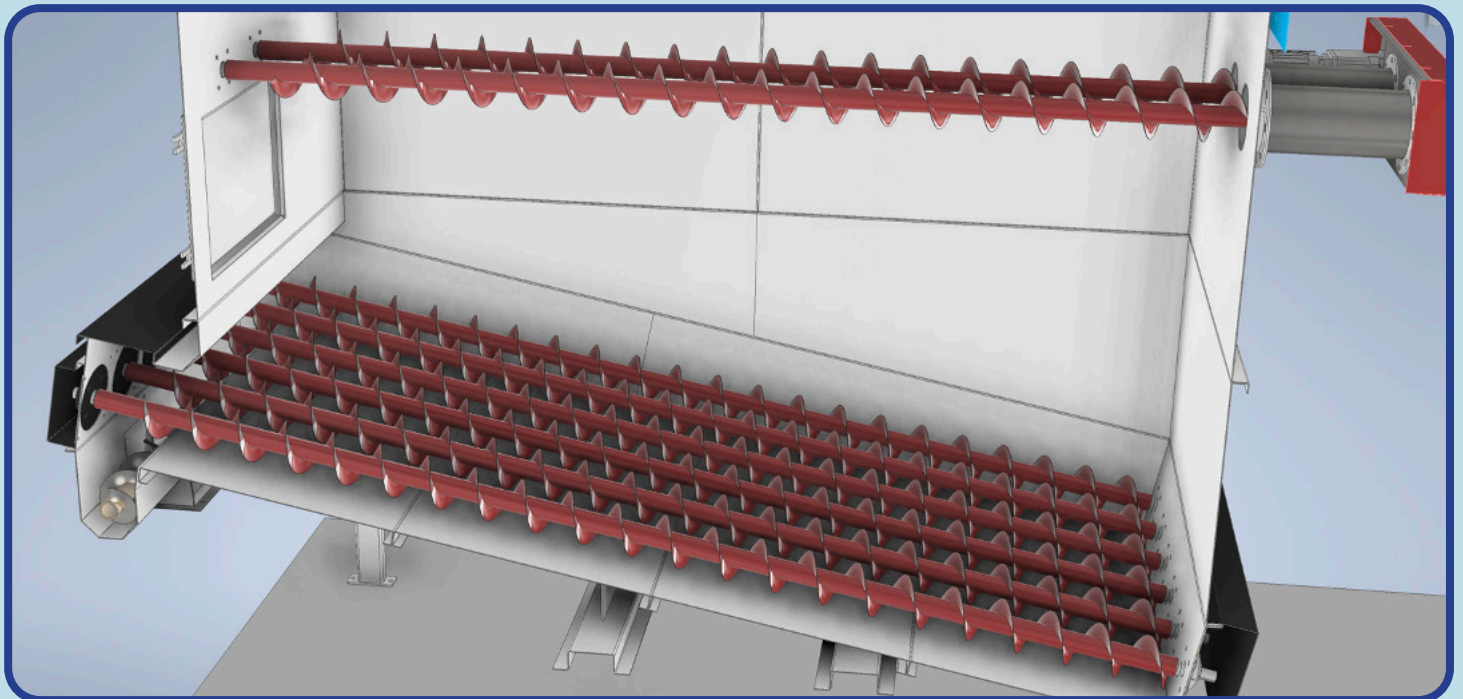
2m x 4m Bunker with two panel rings

Can have either a metal or canvass top. These smaller bunkers have an auger bed leading to a cross screw with an outlet to a flange.

The outfeeder height can be specified when ordering. The inlet feed in height can be changed on demand.



This silo is very good at dealing with difficult material and is extremely reliable.



Larger Hydraulic Bunkers

We have made larger bunkers with walking floors driven by hydraulics. Please get in contact with us if you have requirements for these.

Ranheat Silos

Photos of various silos we have manufactured recently.

RanHeat
Engineering Ltd



Custom 6.8m 3 ring



3m 2 ring, 28m3



3m 2 ring, 28m3



Custom 2.5m x 10m Bunker silo